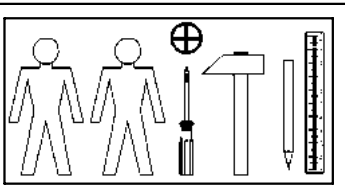
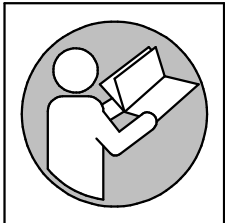
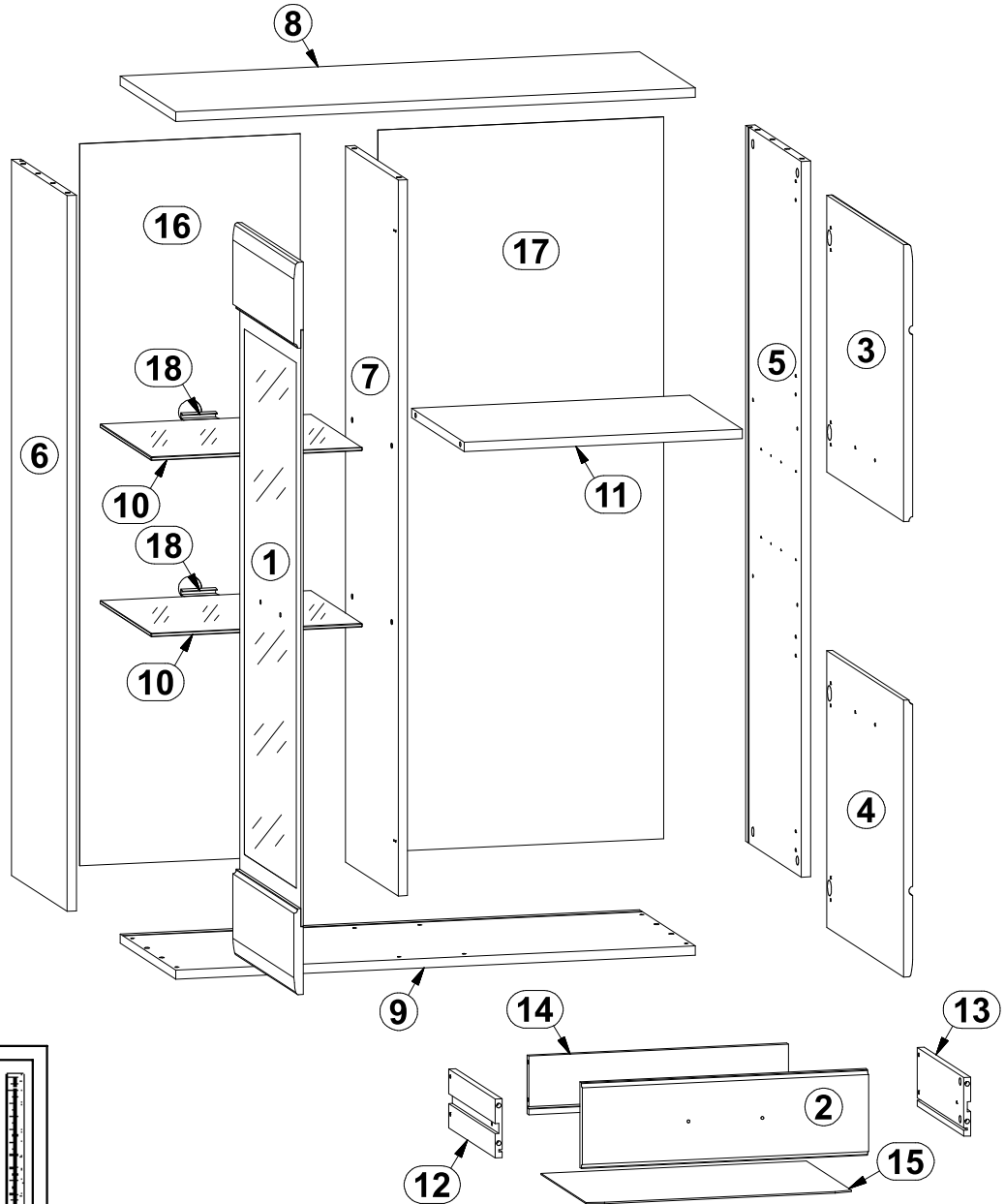
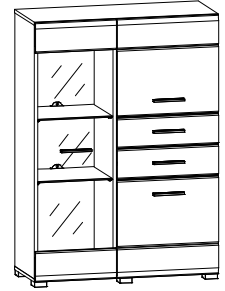


# ВУШЕР

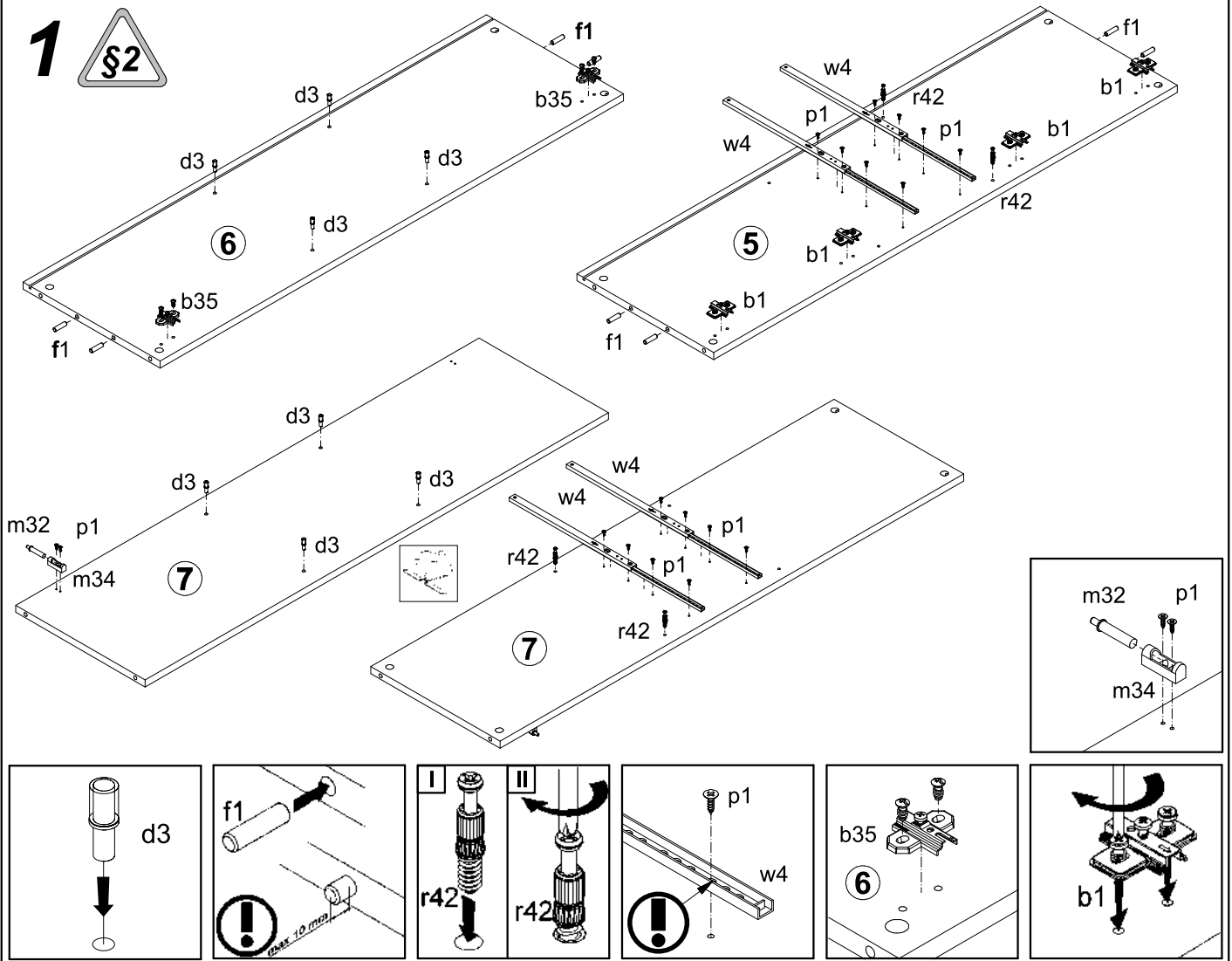
Вітрина / Витрина - REG 1W2D2S L

A	B	C	D	A	B	C	D		
1	S154-001	1246	396	2/2	10	S154-301	366	330	1/2
2	S154-006	496	146	2/2	11	S154-306	482	340	1/2
3	S154-007	496	471	2/2	12	S154-504	300	100	1/2
4	S154-008	496	471	2/2	13	S154-505	300	100	1/2
5	S154-106	1218	360	1/2	14	S154-506	442	100	1/2
6	S154-107	1218	360	1/2	15	S154-905	457	298	1/2
7	S154-108	1218	340	1/2	16	S154-906	1228	382	2/2
8	S154-204	900	360	1/2	17	S154-907	1228	495	2/2
9	S154-205	900	360	1/2	18	qb20v2	LED		1/2

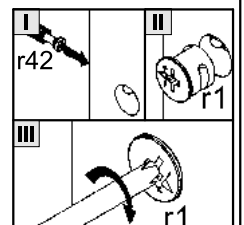
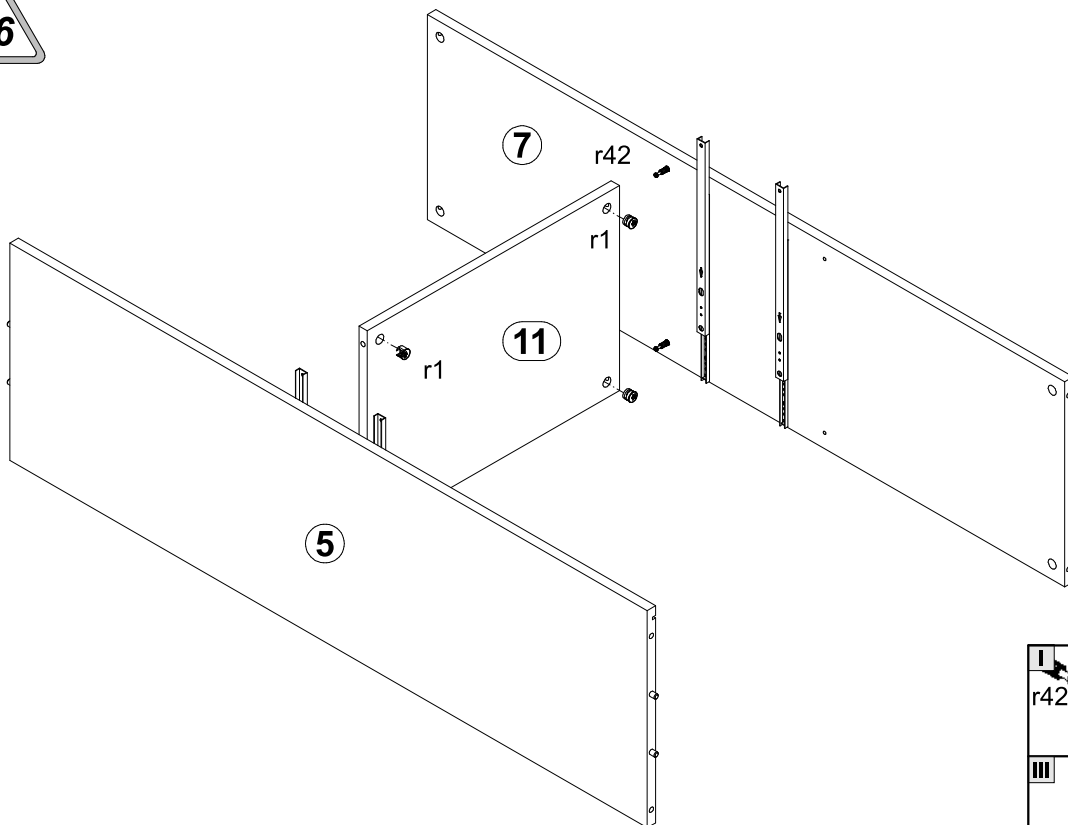


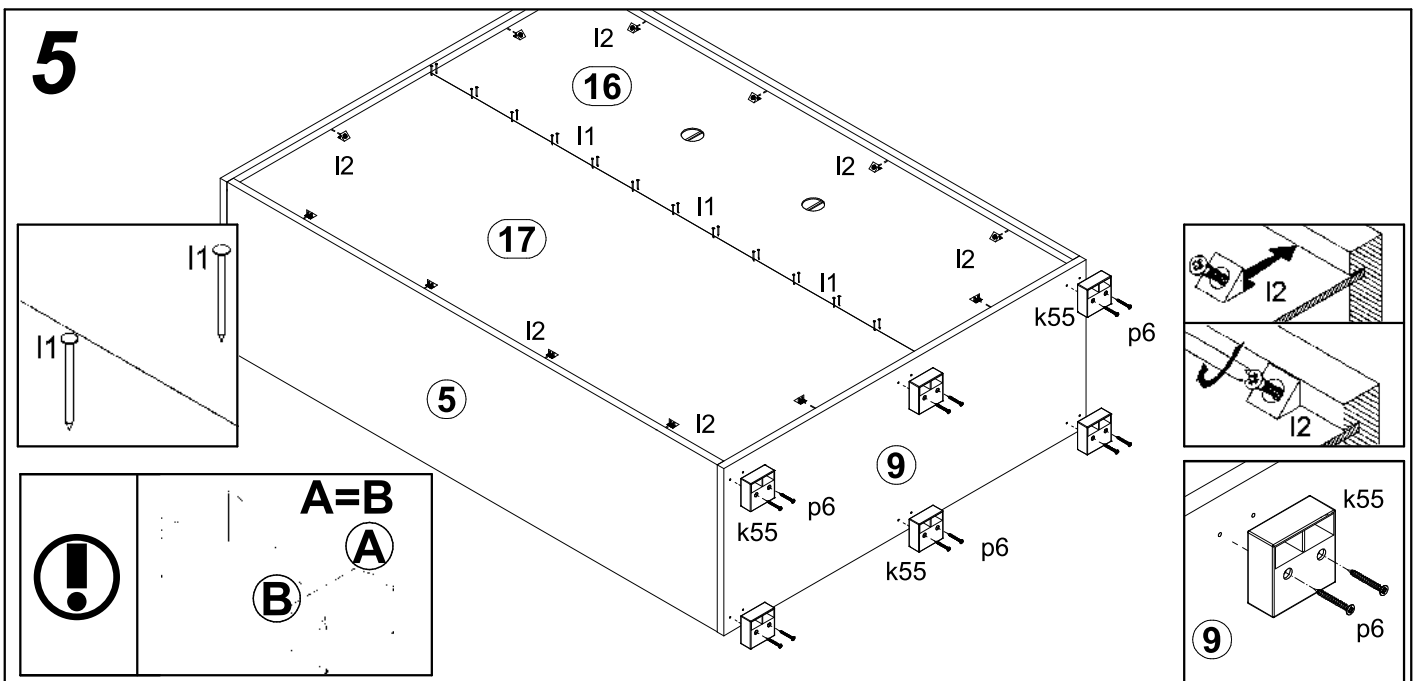
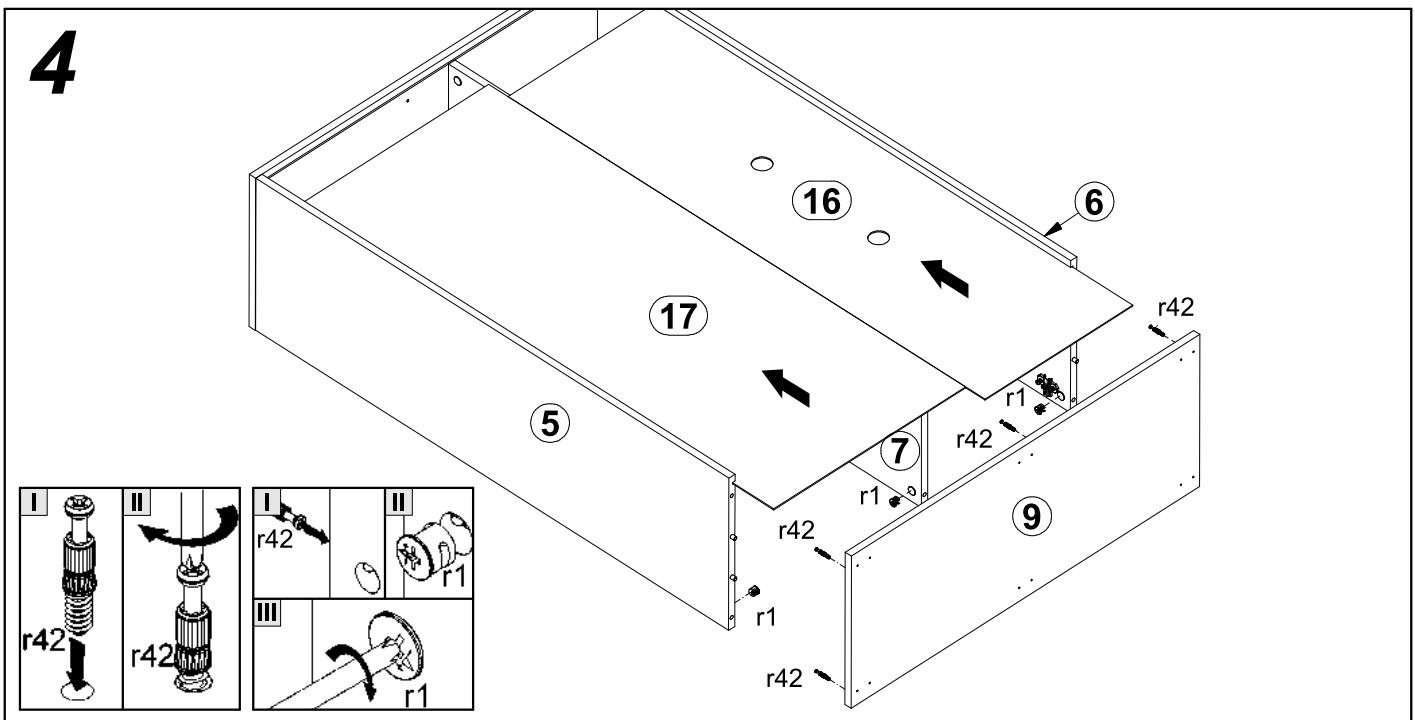
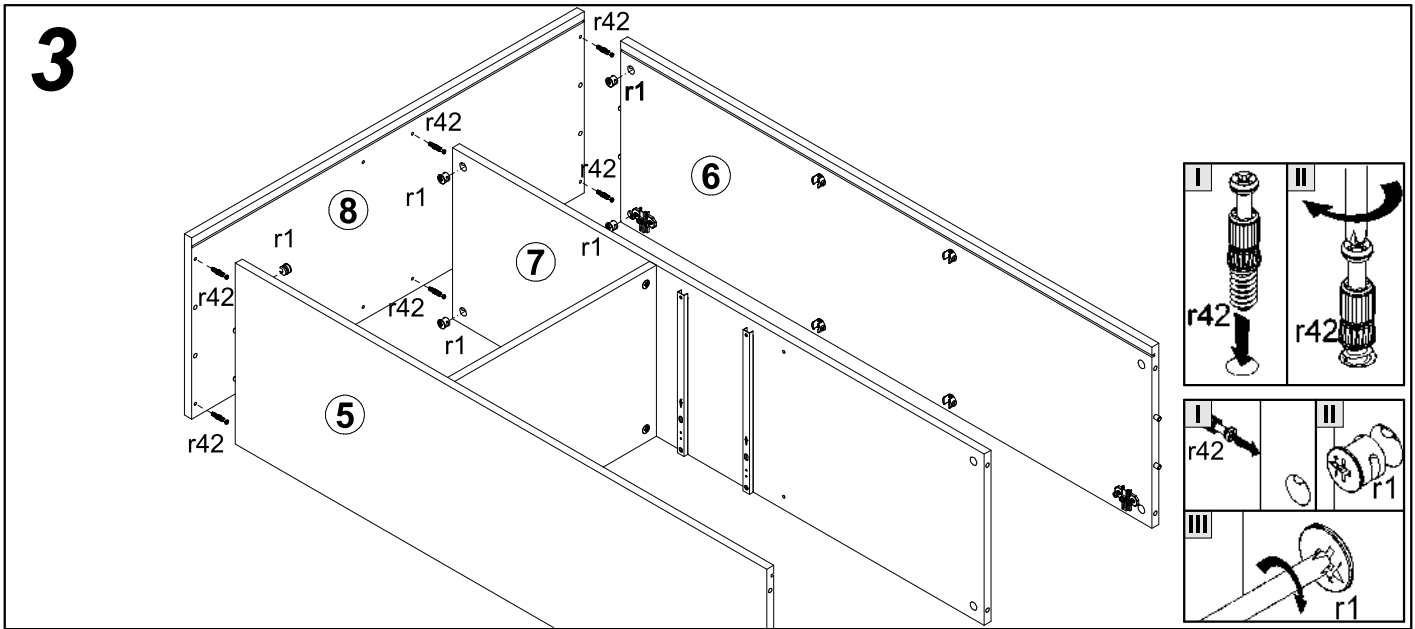
4x  a2	2x  a44	4x  b1	2x  b35	5x  c253\3	8x  d3	8x  e32	8x  f1	4x  j3
6x  k55	25x  l1	12x  l2	1x  m32	1x  m34	4x  o21	2x  o27	18x  p1	4x  p51
2x  p59	12x  p6	8x  p9	16x  r1	8x  r15	24x  r42	12x  s2	2x  s53	4x  w4
1x  n26\11	1x  p38							

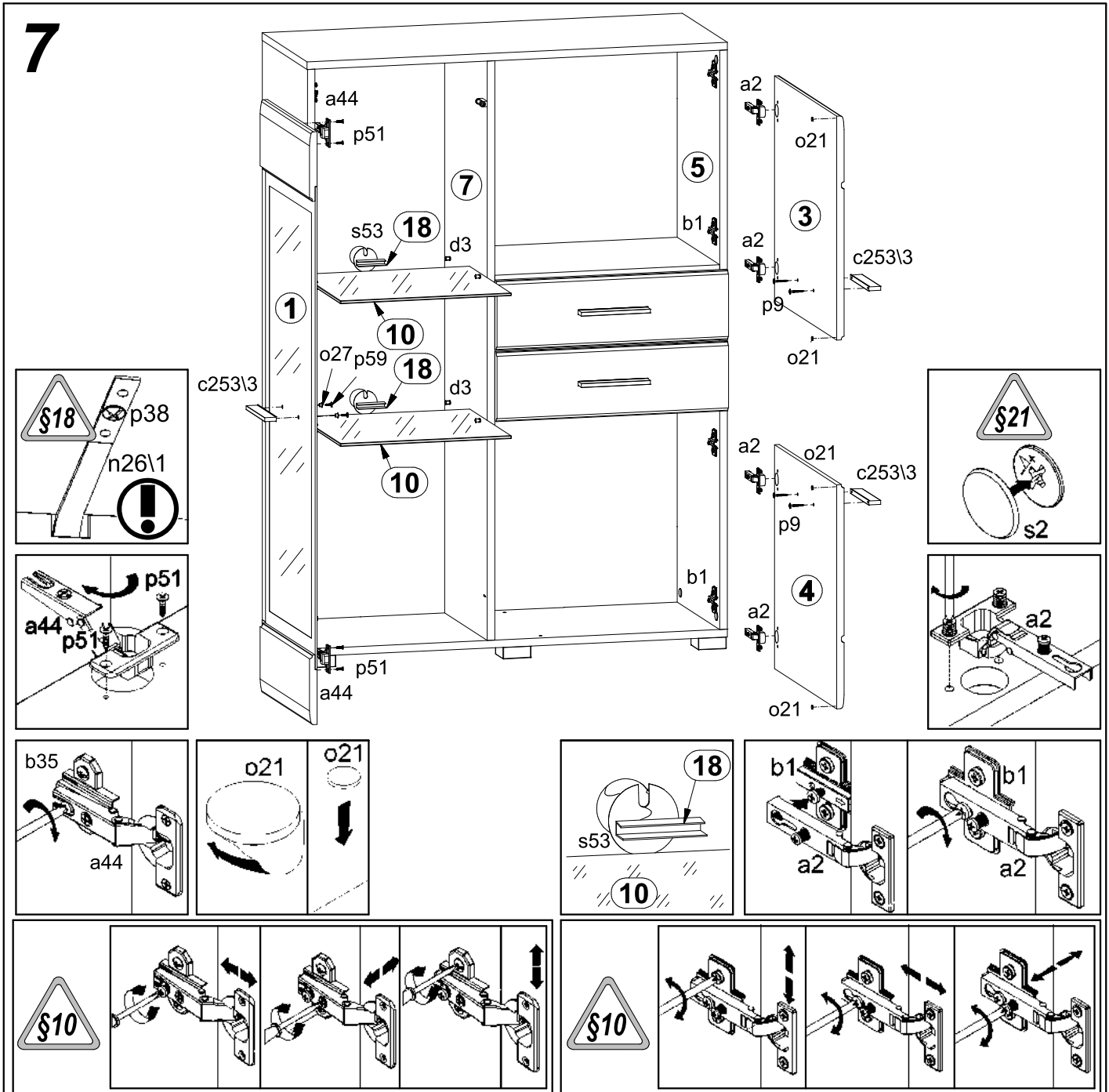
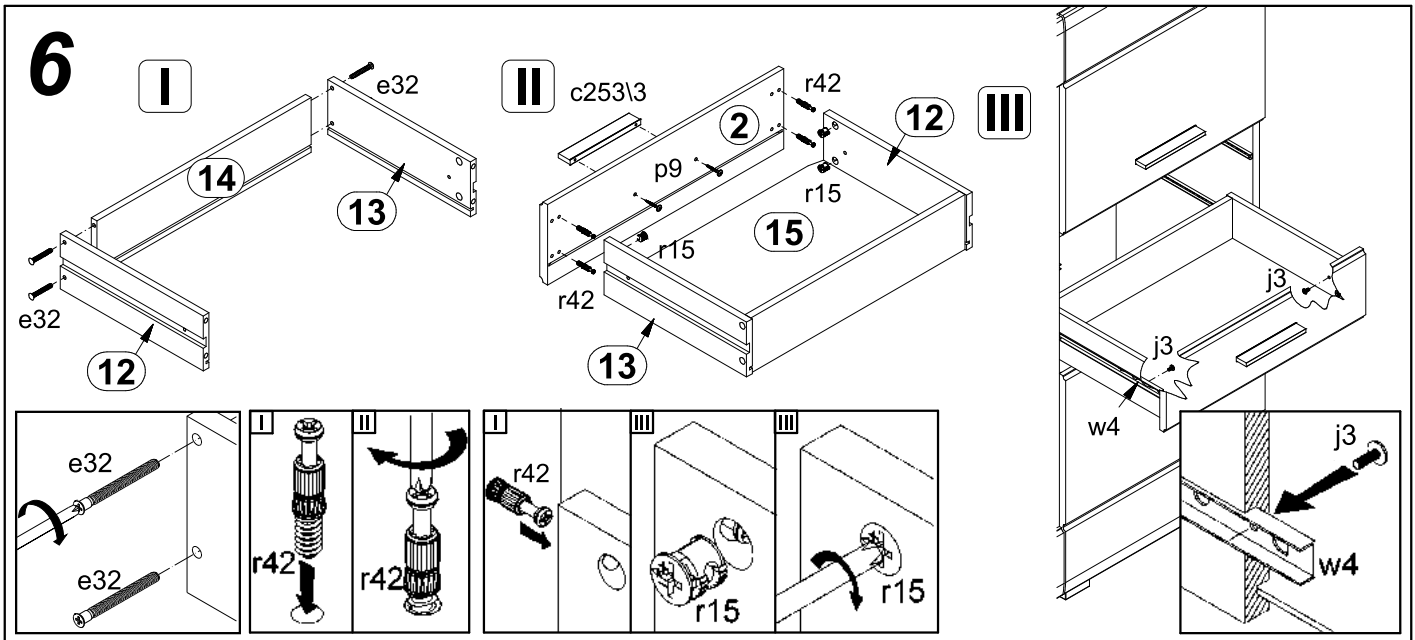
# 1



# 2



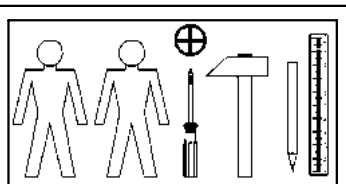
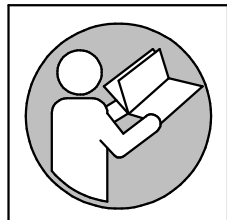
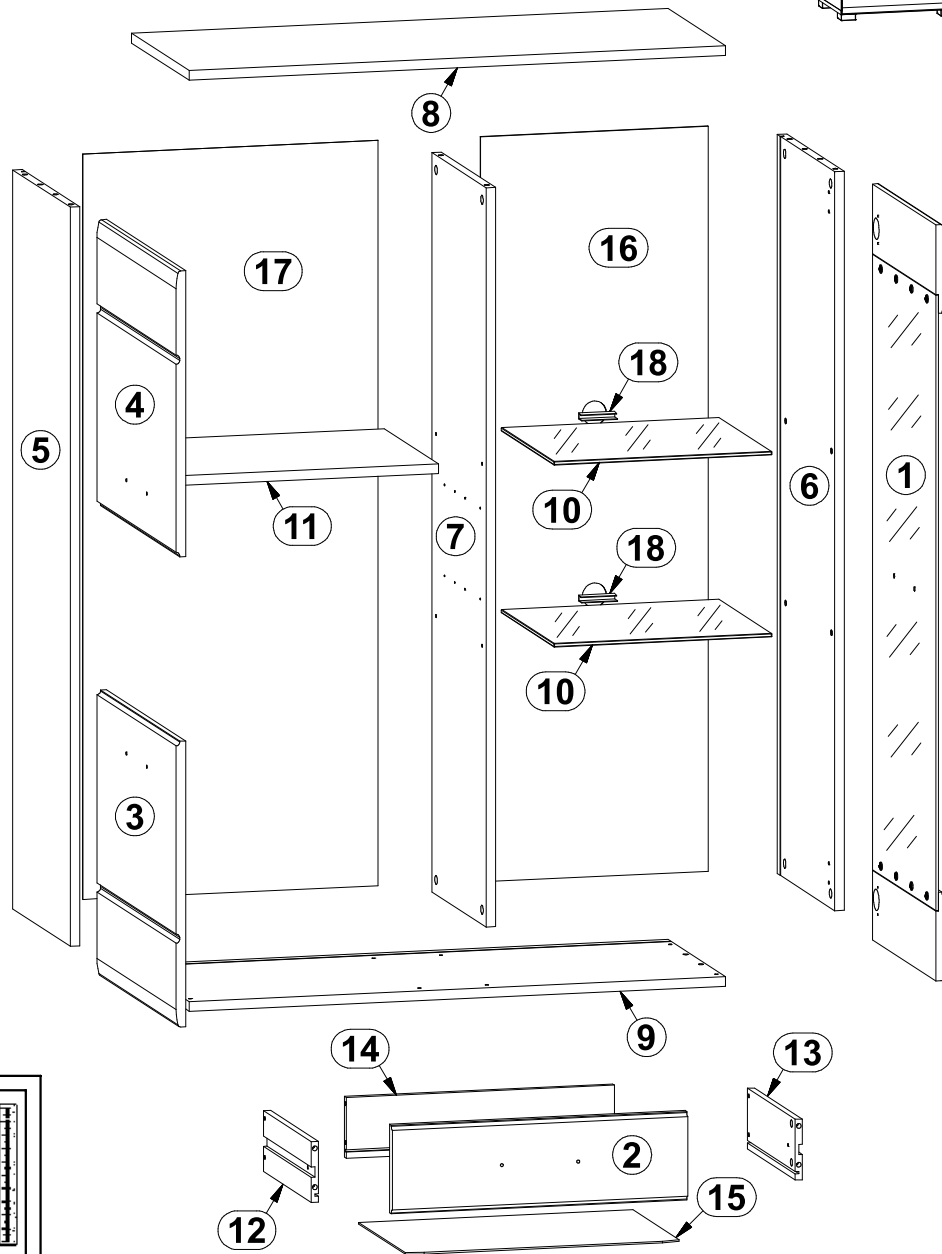
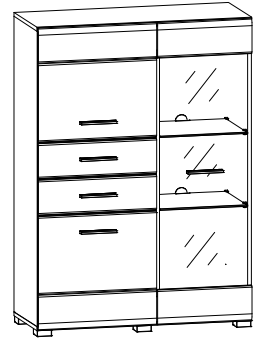




# ВУШЕР

Вітрина / Витрина - REG 1W2D2S P

A	B	C		D	A	B	C		D
1	S154-001	1246	396	2/2	10	S154-301	366	330	1/2
2	S154-006	496	146	2/2	11	S154-306	482	340	1/2
3	S154-007	496	471	2/2	12	S154-504	300	100	1/2
4	S154-008	496	471	2/2	13	S154-505	300	100	1/2
5	S154-106	1218	360	1/2	14	S154-506	442	100	1/2
6	S154-107	1218	360	1/2	15	S154-905	457	298	1/2
7	S154-108	1218	340	1/2	16	S154-906	1228	382	2/2
8	S154-204	900	360	1/2	17	S154-907	1228	495	2/2
9	S154-205	900	360	1/2	18	qb20x2	LED		1/2



4x  a2	2x  a44	4x  b1	2x  b35	5x  c253\3	8x  d3 φ5x17 mm	8x  e32 φ5x50 mm	8x  f1 φ8x20 mm	4x  j3 M4x12 mm
6x  k55	25x  l1	12x  l2	1x  m32	1x  m34	4x  o21 φ4x6	2x  o27 φ5.5x13.5x2.5	18x  p1 φ3.5x13 mm	4x  p51 φ3.5x13 mm
2x  p59 φ4x12 mm	12x  p6 φ4x3.5 mm	8x  p9 φ4x3.5 mm	16x  r1 φ15x12 mm -16	8x  r15 φ12.5x10.5 mm 12	24x  r42	12x  s2 φ16	2x  s53	4x  w4 φ12 mm
1x  n26\11	1x  p38 φ3.5x10 mm							

