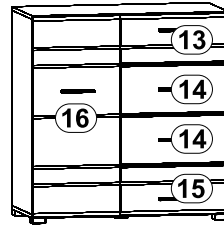


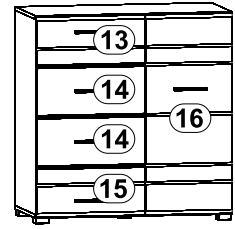
ВУШЕР

Комод **KOM 1D4S**

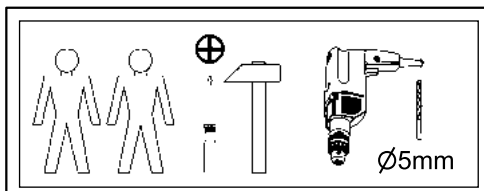
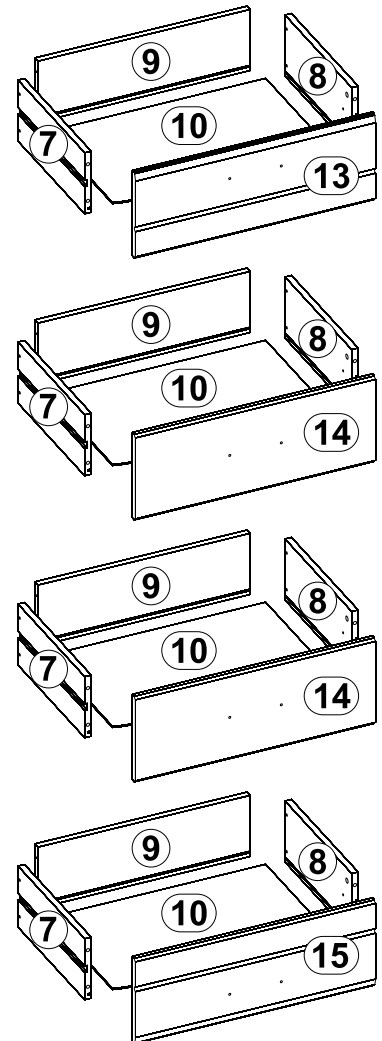
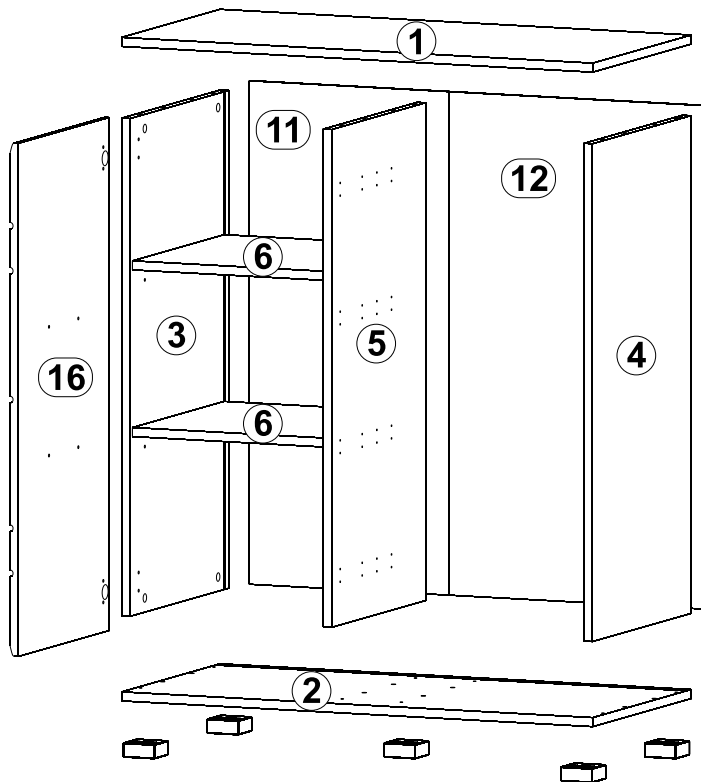
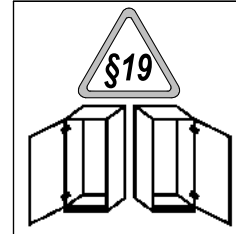
A	B	C	D	
1	S154-209	900	430	1/3
2	S154-210	900	430	1/3
3	S154-114	878	430	2/3
4	S154-115-01	878	430	2/3
5	S154-116-01	878	410	2/3
6	S154-309	369	400	2/3
7	S154-513-01	350	160	2/3
8	S154-514-01	350	160	2/3
9	S154-515-01	1442	160	2/3
10	S154-914	457	349	2/3
11	S154-912	888	382	2/3
12	S154-913	888	495	2/3
13	S154-016	496	224	3/3
14	S154-013	496	224	3/3
15	S154-014	496	224	3/3
16	S154-015	396	905	3/3



KOM 1D4S L

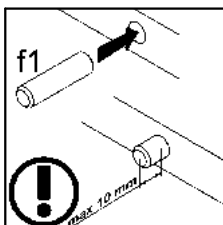
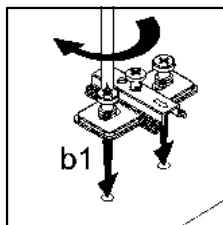
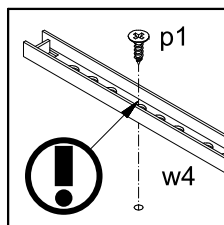
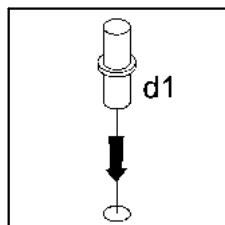
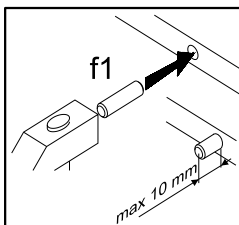
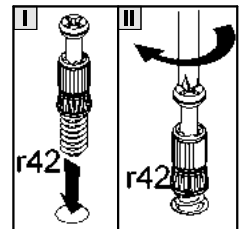
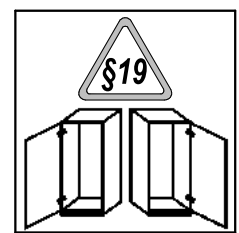
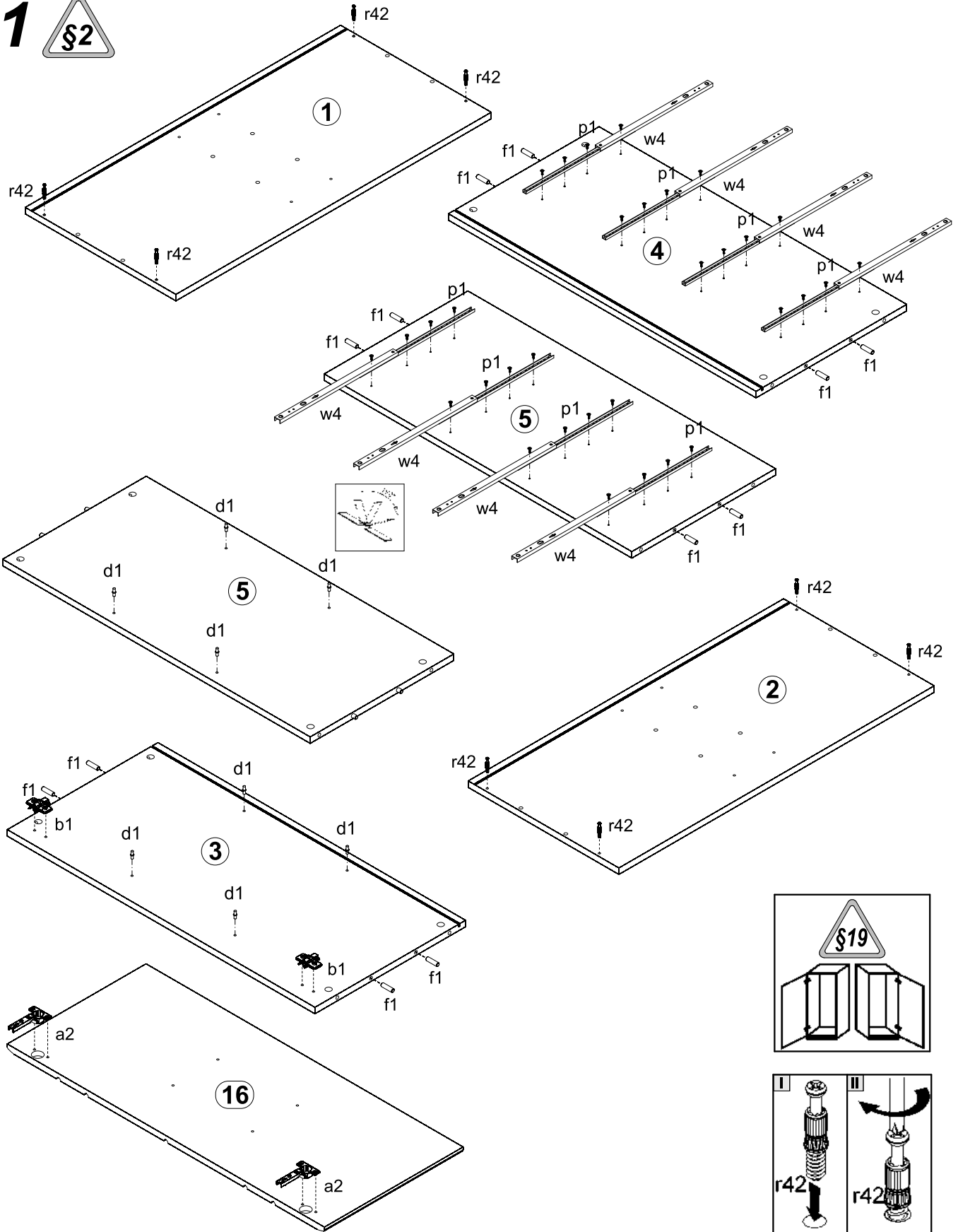


KOM 1D4S P



2x a2	2x b1	5x c25313	8x φ5x17 mm d1	16x φ5x50 mm e32	12x φ8x30 mm f1	8x M4x12 mm j3
5x k55	15x l1	10x l2	32x φ3,5x13 mm p1	10x φ4x35 mm p6	10x φ4x30 mm p9	12x φ15x12mm 216 r1
16x φ12x10,5mm #12 r15	28x r42	10x ø16 s2	8x 310 mm w4	1x n2611	1x φ3,5x16 mm p38	

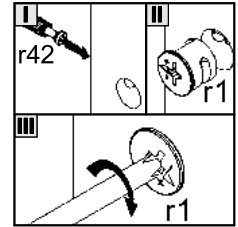
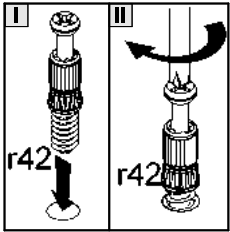
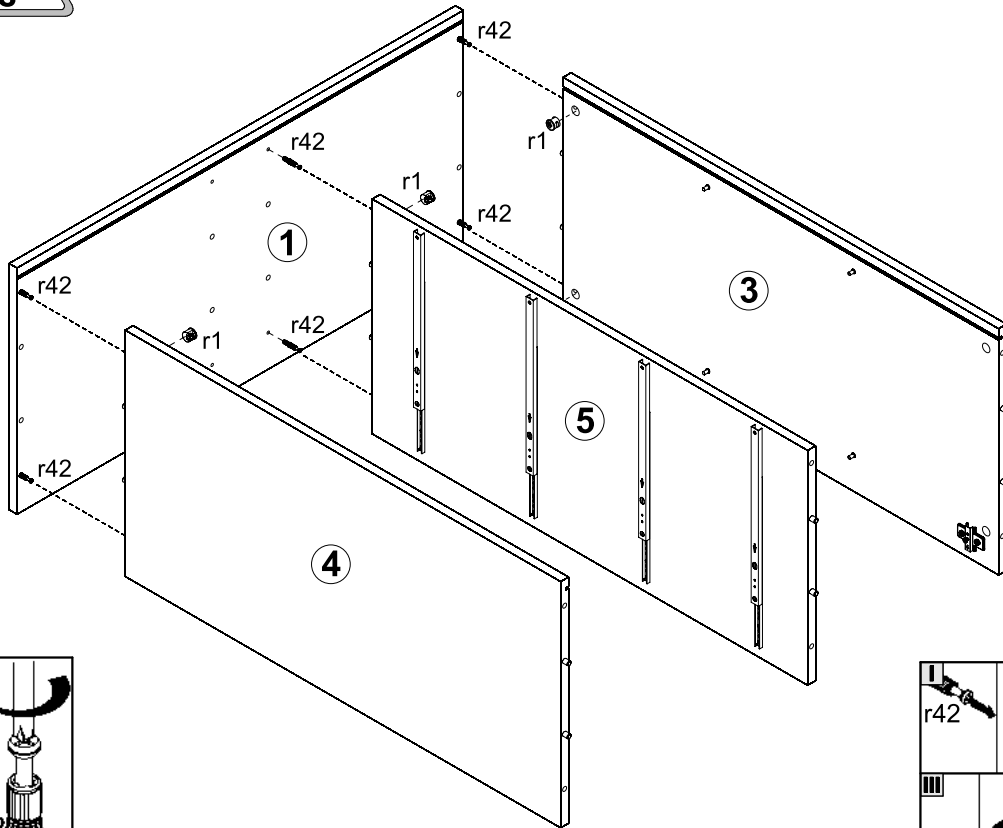
1



2 L



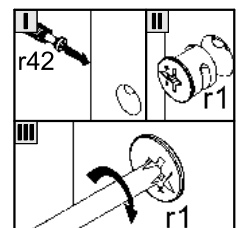
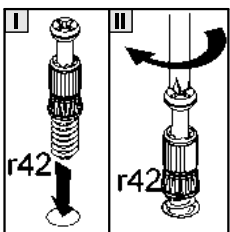
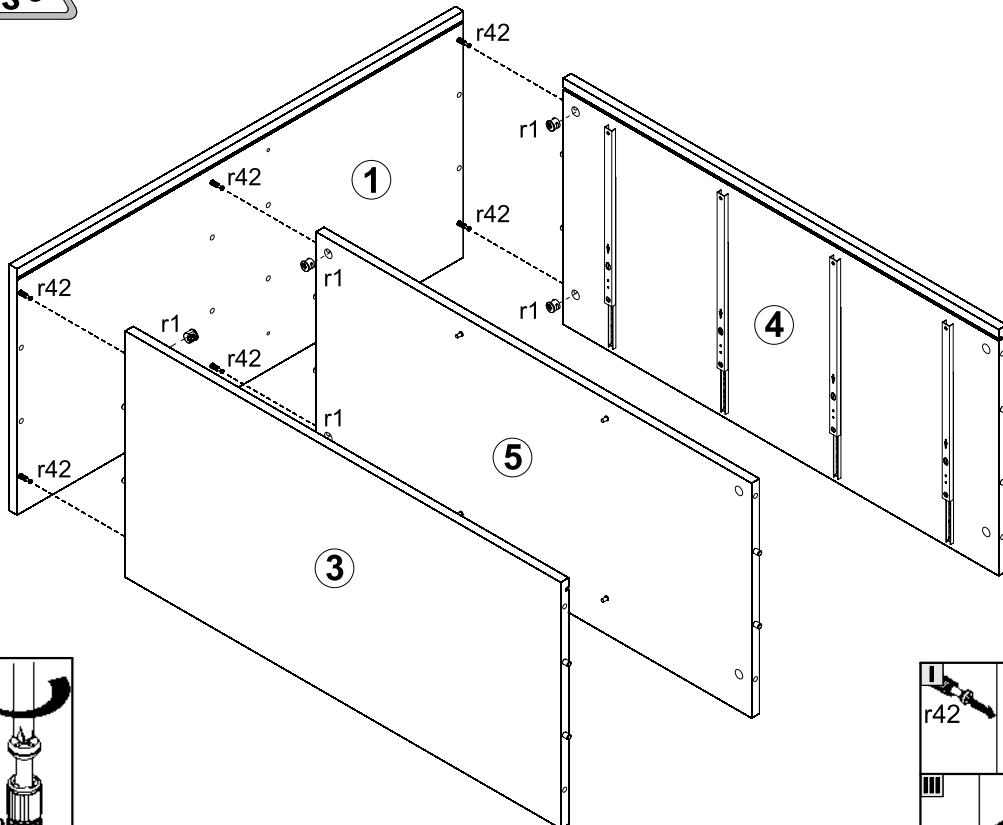
KOM 1D4S L



2 P

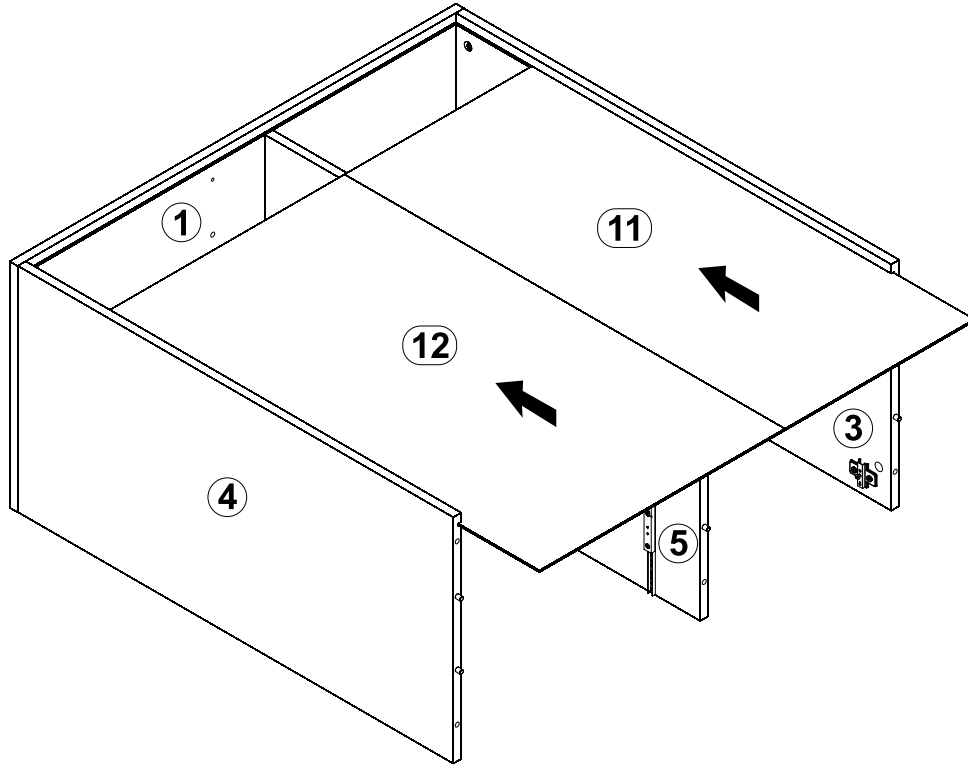


KOM 1D4S P



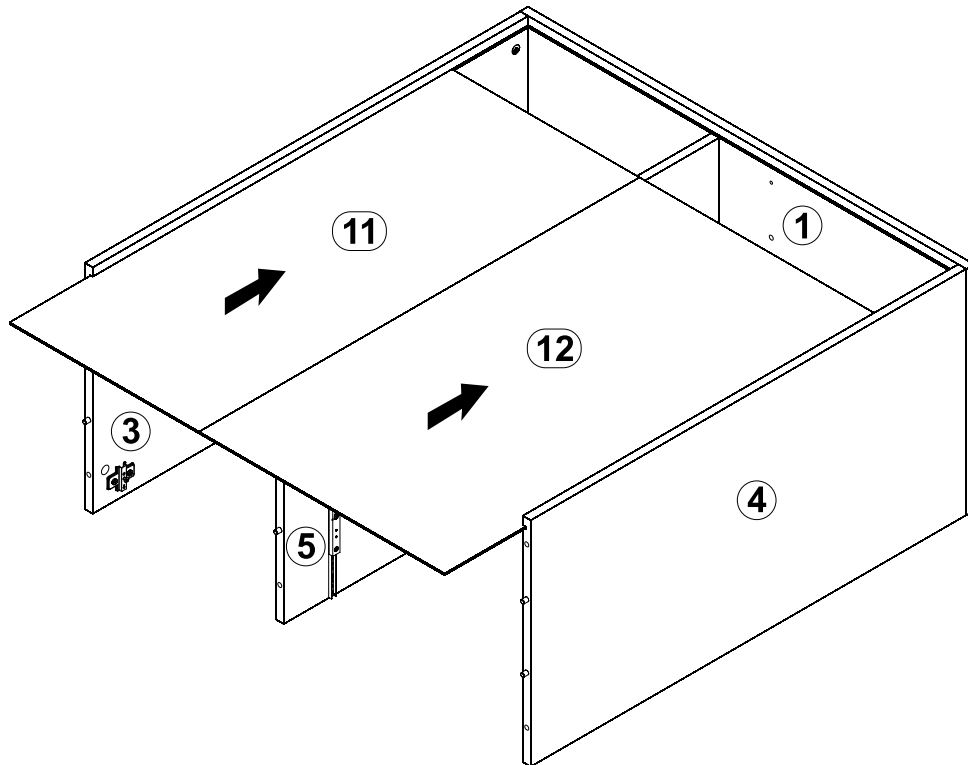
3 L

KOM 1D4S L



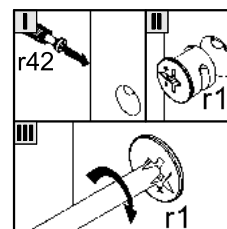
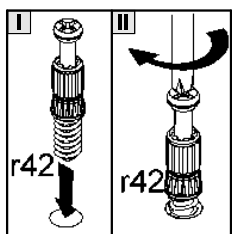
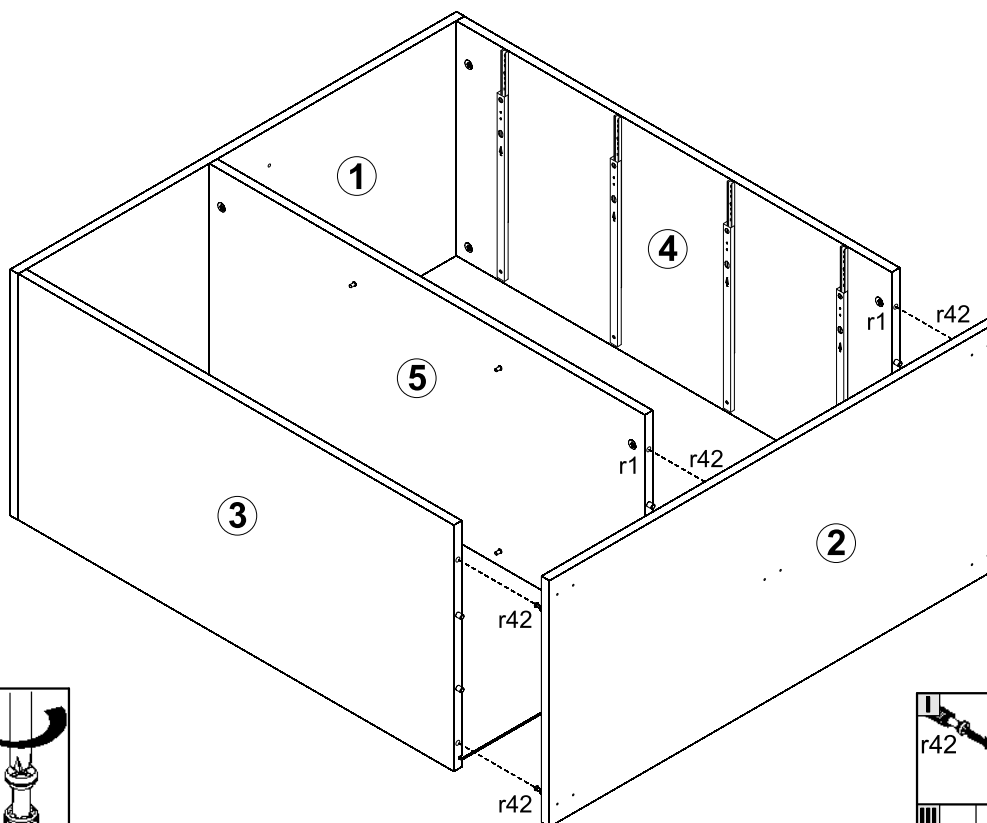
3 P

KOM 1D4S P



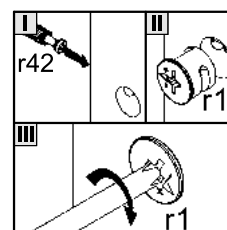
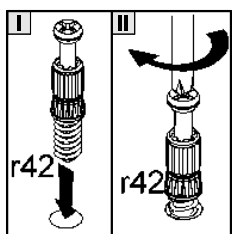
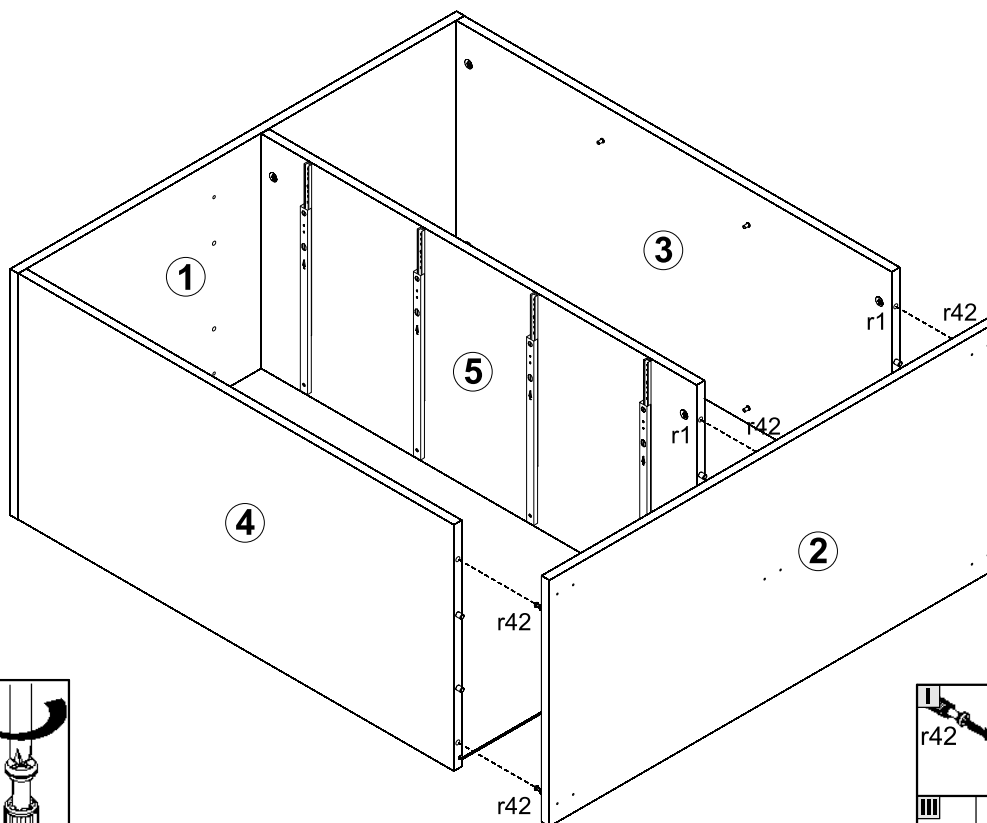
4 L

KOM 1D4S L



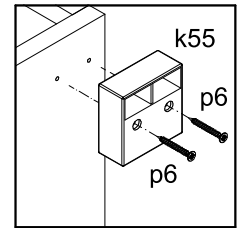
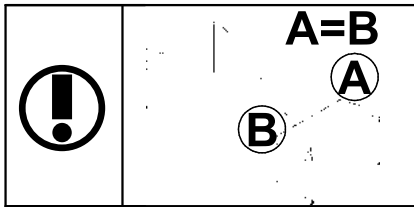
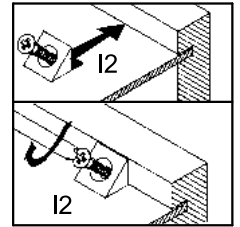
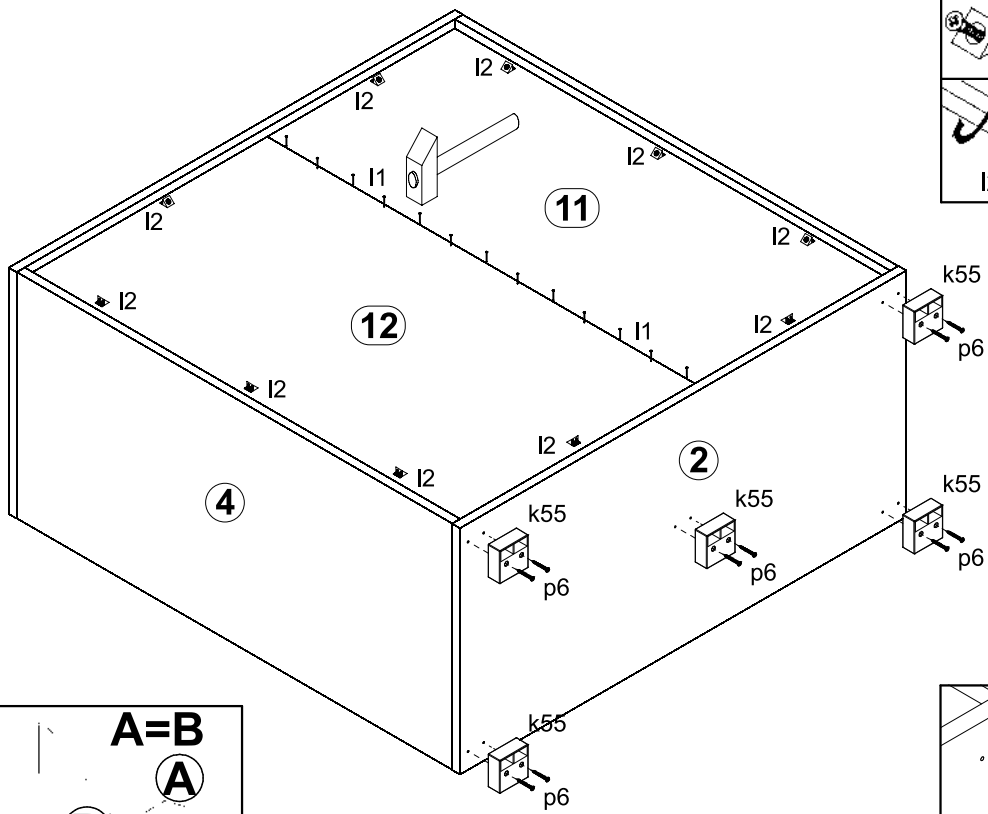
4 P

KOM 1D4S P



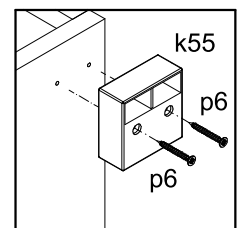
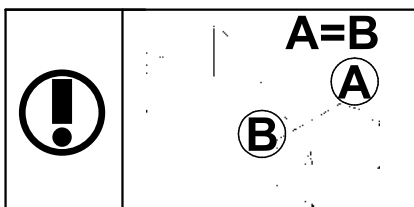
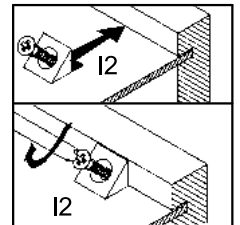
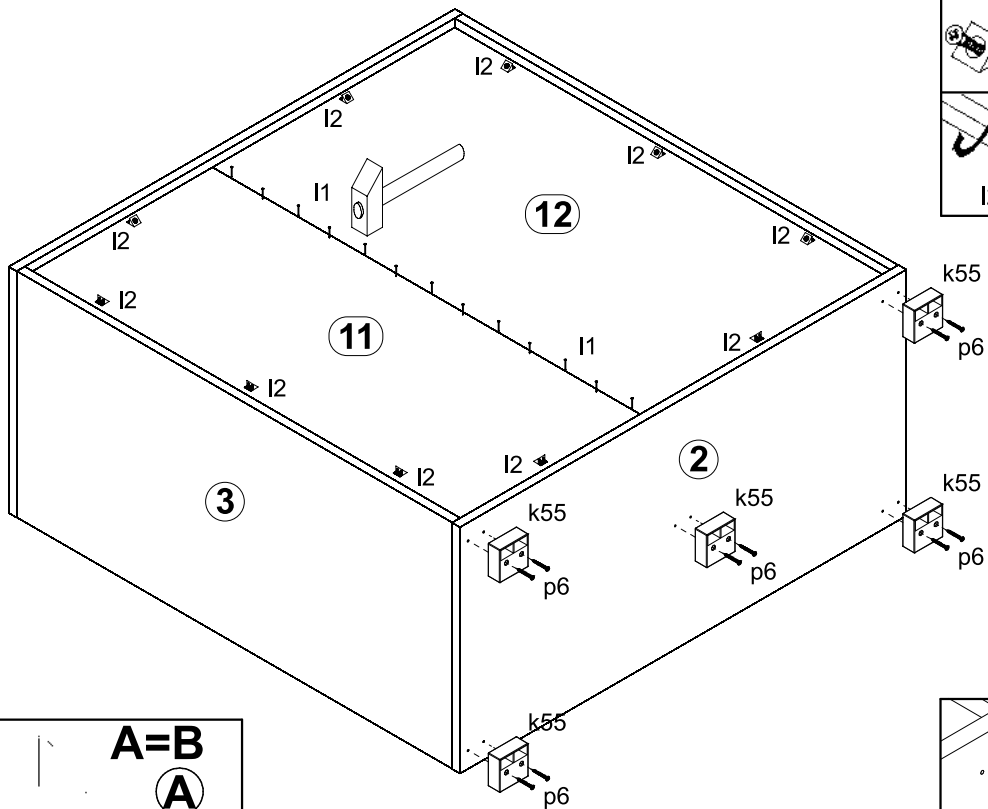
5 L

KOM 1D4S L

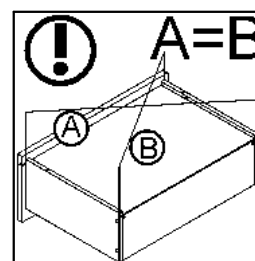
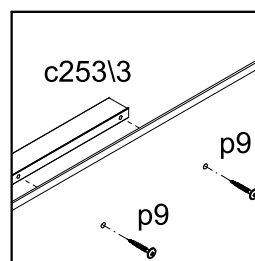
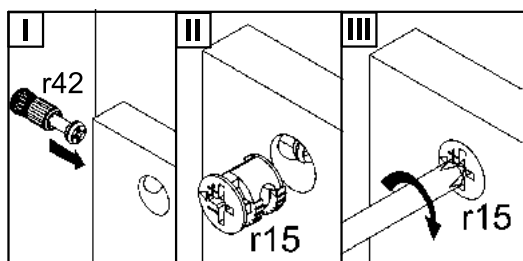
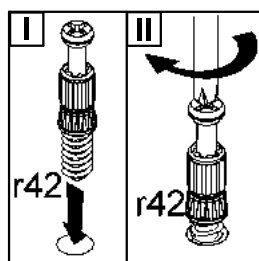
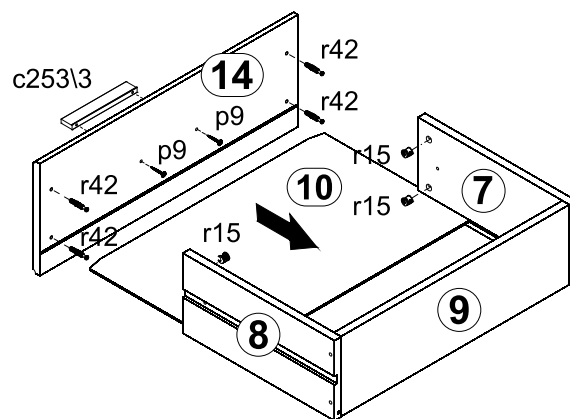
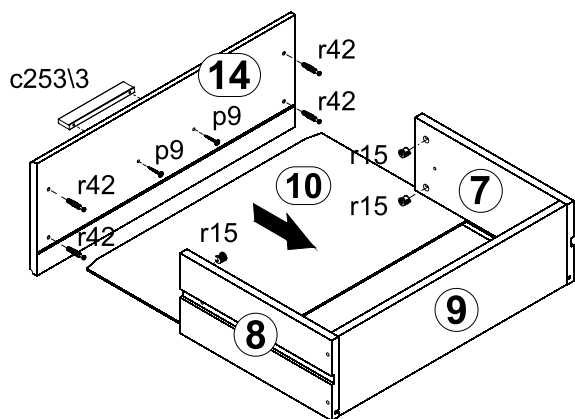
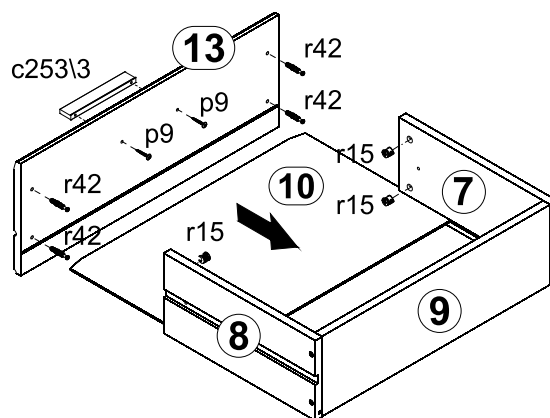
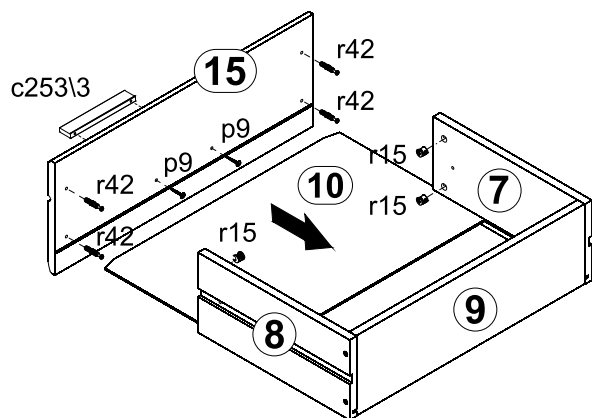
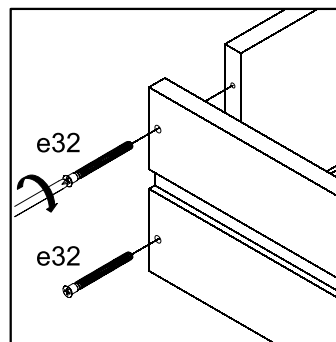
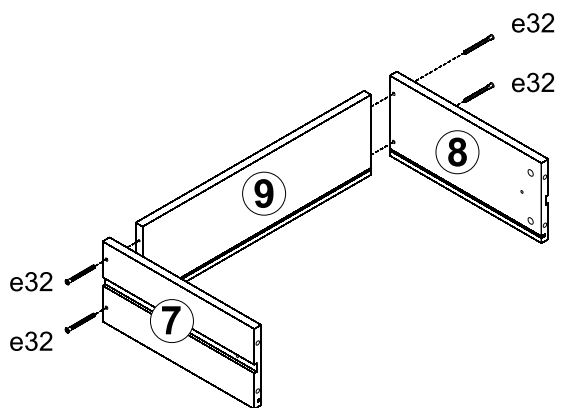


5 P

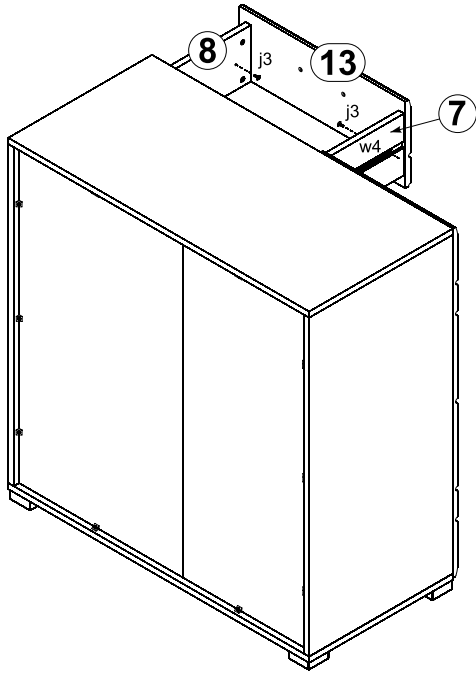
KOM 1D4S P



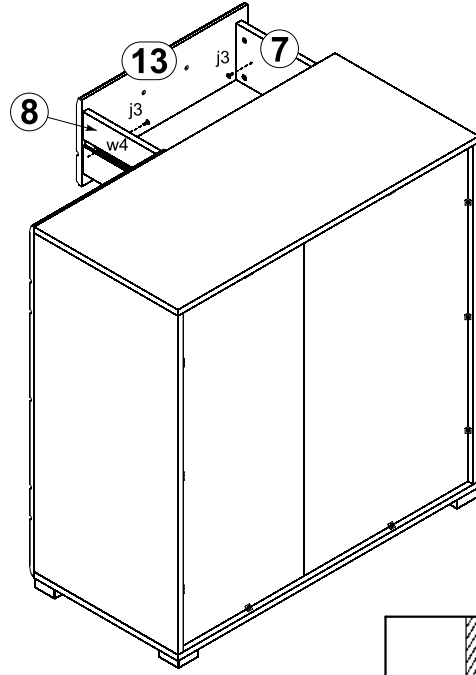
6



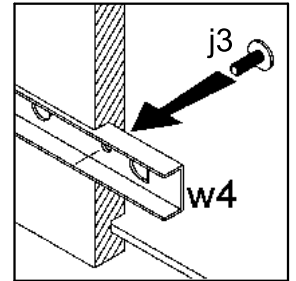
7



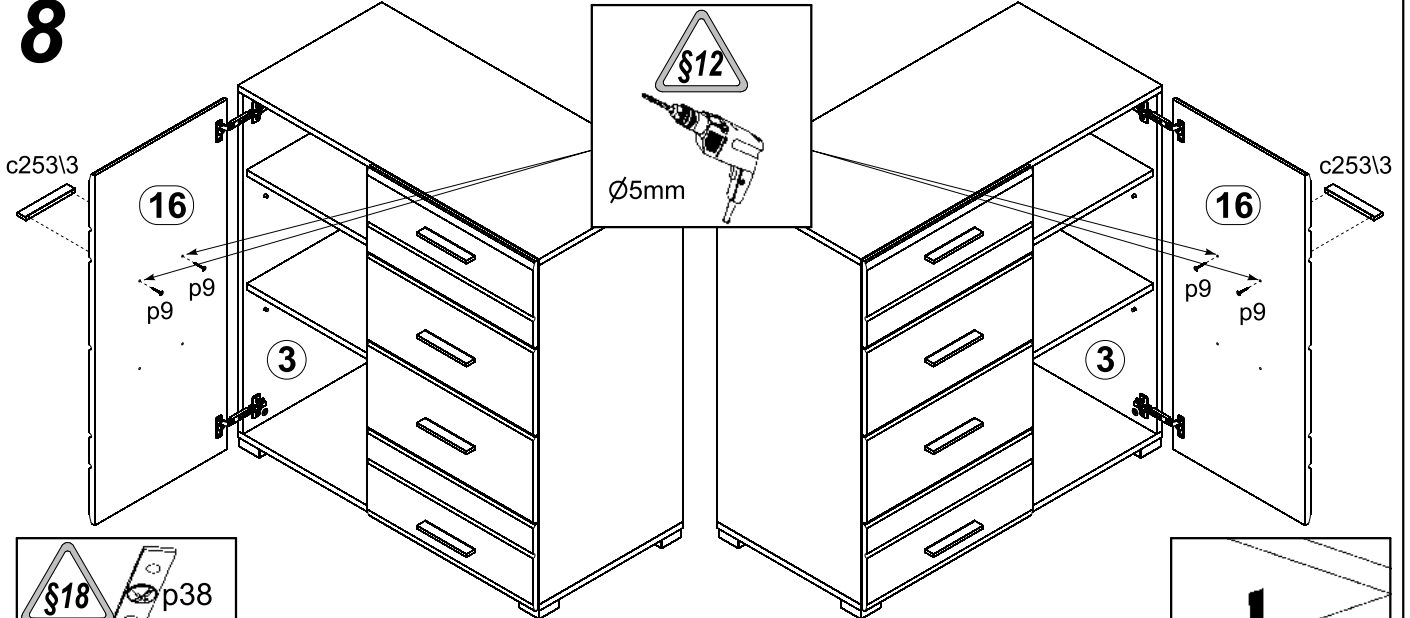
KOM 1D4S L



KOM 1D4S P



8



KOM 1D4S L

KOM 1D4S P

